

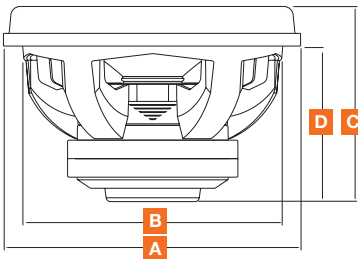
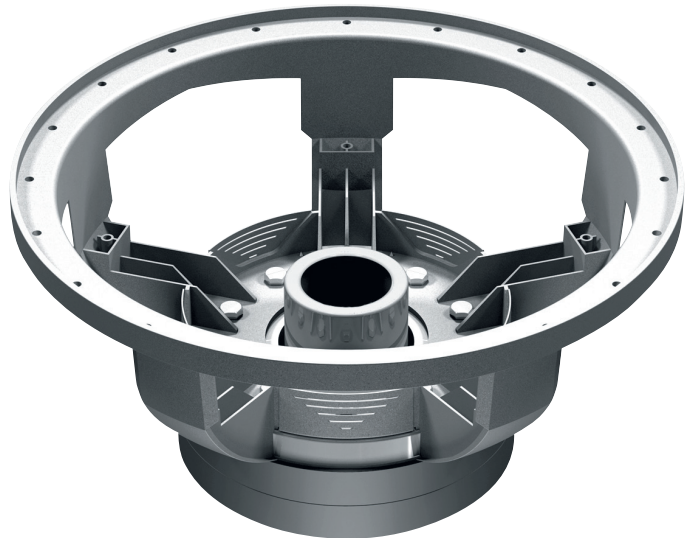
# SUB WOOFER

## MM 15.1 UNLIMITED

### Technical Specifications

| Component                 | Subwoofer Motor Group                    |               |
|---------------------------|--|---------------|
| Size                      | mm (in.)                                 | 380 (15)      |
| Magnet size               | mm                                       | 2 x 230 x 25  |
| D-d-h                     | (in.)                                    | (2 x 9.1 x 1) |
| Total driver displacement | l (cu.in.)                               | 9,2 (561)     |
| Magnet                    | Double magnet, High density flux ferrite |               |
| Weight of one component*  | kg (lb.)                                 | 22,9 (50.5)   |

\*Including Mobile Group



|    |                   |
|----|-------------------|
| A  | 399 mm (15.7 in.) |
| B  | 350 mm (13.8 in.) |
| C* | 256 mm (10.1 in.) |
| D  | 209 mm (8.3 in.)  |

1. High magnetic permeability plates provide constant, even flux.
2. Large double magnet; for perfect control under high power, very high excursion conditions for top SPL performance.
3. Internally reinforced basket, protected from abrasions with high resistance paint.
4. Basket and motor are coupled and damped through special epoxy glue.