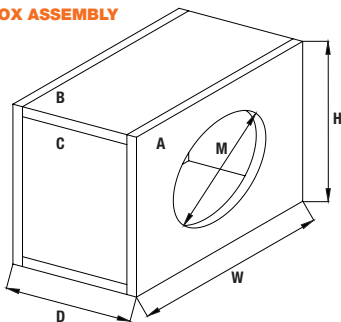
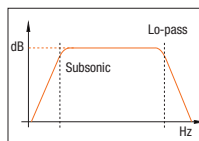


Sealed Box / COMPACT

BOX ASSEMBLY



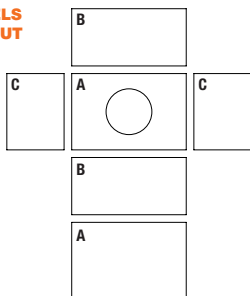
FILTER



BOX TECH DATA

	Vb	Fb	Qt _c	External dimensions			Mounting Hole - M	Wood Thickness	Suggested Subsonic filter cut-off	Suggested Lo-pass filter cut-off	Damping Material
	l (cu. ft.)	Hz	W	H	D						
			mm (in.)	mm (in.)	mm (in.)	mm (in.)	mm (in.)				
ES 200.5	9 (0,32)	58,6	0,67	330 (12,99)	270 (10,63)	180 (7,09)	183 (7,20)	19 (0,75)	25 ÷ 30 Hz 24 dB Oct	70 ÷ 80 Hz 24 dB Oct	NOT SUGGESTED
ES 250.5 ES 250D.5	17 (0,60)	58,6	0,89	380 (14,96)	340 (13,39)	200 (7,87)	236 (9,29)	19 (0,75)	20 ÷ 25 Hz 24 dB Oct	60 ÷ 70 Hz 24 dB Oct	NOT SUGGESTED
ES 300.5 ES 300D.5	29 (1,02)	58,9	1,01	450 (17,72)	370 (14,57)	250 (9,84)	278 (10,94)	19 (0,75)	20 ÷ 25 Hz 24 dB Oct	60 ÷ 70 Hz 24 dB Oct	NOT SUGGESTED
ES 380.5	52 (1,84)	57,3	1,30	500 (19,68)	470 (18,50)	300 (11,81)	352 (13,86)	19 (0,75)	20 ÷ 25 Hz 24 dB Oct	60 ÷ 70 Hz 24 dB Oct	NOT SUGGESTED

PANELS LAYOUT

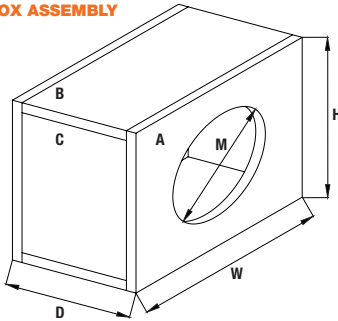


PANELS CUT LIST

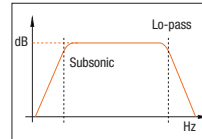
	A	Qty	B	Qty	C	Qty
	mm (in.)	Pcs	mm (in.)	Pcs	mm (in.)	Pcs
ES 200.5	330 x 270 (12,99 x 10,63)	2	330 x 142 (12,99 x 5,59)	2	232 x 142 (9,13 x 5,59)	2
ES 250.5 ES 250D.5	380 x 340 (14,96 x 13,39)	2	380 x 162 (14,96 x 6,38)	2	302 x 162 (11,89 x 6,38)	2
ES 300.5 ES 300D.5	450 x 370 (17,72 x 14,57)	2	450 x 212 (17,72 x 8,35)	2	332 x 212 (13,07 x 8,35)	2
ES 380.5	500 x 470 (19,68 x 18,50)	2	500 x 262 (19,68 x 10,31)	2	432 x 262 (17,01 x 10,31)	2

Sealed Box / PERFORMANCE

BOX ASSEMBLY



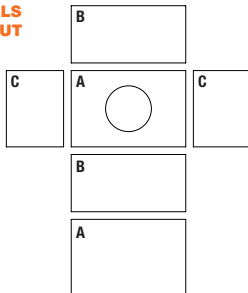
FILTER



BOX TECH DATA

	Vb	Fc	Qtc	External dimensions			Mounting Hole - M	Wood Thickness	Suggested Subsonic filter cut-off	Suggested Lo-pass filter cut-off	Damping Material
	l (cu. ft.)	Hz		W	H	D					
				mm (in.)	mm (in.)	mm (in.)	mm (in.)	mm (in.)			
ES 200.5	13 (0,46)	52,7	0,60	330 (12,99)	270 (10,63)	230 (9,06)	183 (7,20)	19 (0,75)	25 ÷ 30 Hz 24 dB Oct	70 ÷ 80 Hz 24 dB Oct	NOT SUGGESTED
ES 250.5 ES 250D.5	22 (0,78)	54,6	0,86	380 (14,96)	340 (13,39)	250 (9,84)	236 (9,29)	19 (0,75)	20 ÷ 25 Hz 24 dB Oct	60 ÷ 70 Hz 24 dB Oct	NOT SUGGESTED
ES 300.5 ES 300D.5	38 (1,34)	51	0,89	450 (17,72)	370 (14,57)	315 (12,40)	278 (10,94)	19 (0,75)	20 ÷ 25 Hz 24 dB Oct	60 ÷ 70 Hz 24 dB Oct	NOT SUGGESTED
ES 380.5	62 (2,19)	55,3	1,27	500 (19,68)	470 (18,50)	350 (13,78)	352 (13,86)	19 (0,75)	20 ÷ 25 Hz 24 dB Oct	60 ÷ 70 Hz 24 dB Oct	NOT SUGGESTED

PANELS LAYOUT

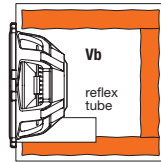
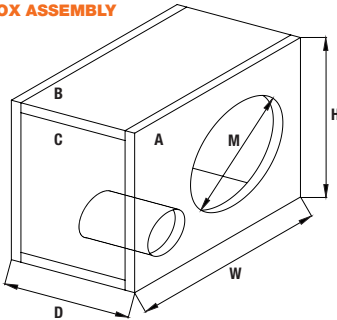


PANELS CUT LIST

	A	Qty	B	Qty	C	Qty
	mm (in.)	Pcs	mm (in.)	Pcs	mm (in.)	Pcs
ES 200.5	330 x 270 (12,99 x 10,63)	2	330 x 192 (12,99 x 7,56)	2	232 x 192 (9,13 x 7,56)	2
ES 250.5 ES 250D.5	380 x 340 (14,96 x 13,39)	2	380 x 212 (14,96 x 8,35)	2	302 x 212 (11,89 x 8,35)	2
ES 300.5 ES 300D.5	450 x 370 (17,72 x 14,57)	2	450 x 277 (17,72 x 10,91)	2	332 x 277 (13,07 x 10,91)	2
ES 380.5	500 x 470 (19,68 x 18,50)	2	500 x 312 (19,68 x 12,28)	2	432 x 312 (17,01 x 12,28)	2

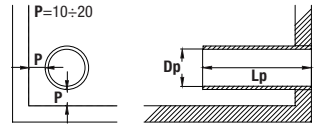
Reflex Box / PERFORMANCE

BOX ASSEMBLY

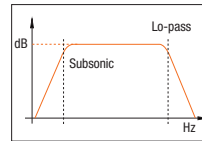


DAMPING MATERIAL APPLICATION

SUGGESTED PORT POSITION/DIMENSION



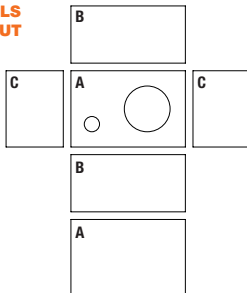
FILTER



BOX TECH DATA

	Vb l (cu. ft.)	Fb Hz	Dp Port Inner Diameter mm (in.)	Lp Port Length mm (in.)	External dimensions			Mounting Hole - M mm (in.)	Wood Thick. mm (in.)	Suggested Subsonic filter cut-off 25 ÷ 30 Hz 24 dB Oct	Suggested Lo-pass filter cut-off 70 ÷ 80 Hz 24 dB Oct	Damping Material SUGGESTED
					W mm (in.)	H mm (in.)	D mm (in.)					
ES 200.5	18 (0,64)	38	62 (2,44)	182 (7,17)	360 (14,17)	270 (10,63)	280 (11,02)	183 (7,20)	19 (0,75)	25 ÷ 30 Hz 24 dB Oct	70 ÷ 80 Hz 24 dB Oct	SUGGESTED
ES 250.5 ES 250D.5	40 (1,41)	36,5	100 (3,94)	225 (8,86)	490 (19,29)	340 (13,39)	330 (12,99)	236 (9,29)	19 (0,75)	20 ÷ 25 Hz 24 dB Oct	70 ÷ 80 Hz 24 dB Oct	SUGGESTED
ES 300.5 ES 300D.5	48 (1,70)	36	100 (3,94)	200 (7,87)	500 (19,68)	370 (14,57)	350 (13,78)	278 (10,94)	19 (0,75)	20 ÷ 25 Hz 24 dB Oct	70 ÷ 80 Hz 24 dB Oct	SUGGESTED
ES 380.5	75 (2,65)	30	100 (3,94)	200 (7,87)	700 (27,56)	470 (18,50)	300 (11,81)	352 (13,86)	19 (0,75)	20 ÷ 25 Hz 24 dB Oct	70 ÷ 80 Hz 24 dB Oct	SUGGESTED

PANELS LAYOUT



PANELS CUT LIST

	A	Qty	B	Qty	C	Qty
	mm (in.)	Pcs	mm (in.)	Pcs	mm (in.)	Pcs
ES 200.5	360 x 270 (14,17 x 10,63)	2	360 x 242 (14,17 x 9,53)	2	232 x 242 (9,13 x 9,53)	2
ES 250.5 ES 250D.5	490 x 340 (19,29 x 13,39)	2	490 x 292 (19,29 x 11,50)	2	302 x 292 (11,89 x 11,50)	2
ES 300.5 ES 300D.5	500 x 370 (19,68 x 14,57)	2	500 x 312 (19,68 x 12,28)	2	332 x 312 (13,07 x 12,28)	2
ES 380.5	700 x 470 (27,56 x 18,50)	2	700 x 262 (27,56 x 10,31)	2	432 x 262 (17,01 x 10,31)	2