

**POWER FOR THE WAVES**  
THE PURE MARINE CERTIFIED PRODUCT

**200W**  
MOSFET POWER  
50 W X 4

# HMR 10 D

DIGITAL MEDIA RECEIVER



SPECIFICATION	
DISPLAY	2.8" DOT Matrix display
PEAK POWER @ 4 Ω	4 x 50 W
FRONT PANEL IPX RATING	IP66
MULTI-ZONE	-
LINE OUT	2 x L + R (FRONT + REAR)
SUBWOOFER OUT	-
AUX INPUT	1 x L + R
EQUALIZER	3 PRESET
CAMERA IN	-
BATTERY VOLTAGE GAUGE	-
SOURCES	
TUNER	AM/FM with RDS (where available)
DAB+ READY	Yes
USB	Yes
IPOD/IPHONE	-
SIRIUSXM READY	-
NMEA 2000 READY	-
BLUETOOTH	2.1 Audio streaming
	-
	-
SIZE & MOUNTING	
Unit Size mm (in.)	Diameter 113 (4.45) x D 96,5 (3.79)
Mounting Hole size mm (in.)	89,5 (3.52)
Mounting Depth mm (in.)	72 (2.83)
Mounting Method	U-Bracket

**IP66**

UV RESISTANT

WATER JET RESISTANT

SALT FOG PROOF

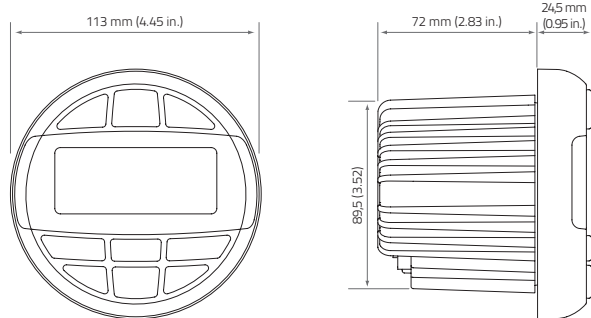
DUST INTRUSION RESISTANT

### PURE MARINE DESIGN

HMR 10 D features IP66 protection grade, ASTM-D4329 standards for UV resistance and ASTM-B117 for salt fog operability, giving you unstopped pleasure season after season.

### PERFECT SOUND ONBOARD WITH GAUGE-STYLE INSTALLATION

With two pairs of high quality stereo outputs, a screen readable at all times and a generous marine-grade control panel, it will be a breeze to control your favorite playlist on USB or Bluetooth® streaming for maximum fun in water. D option provides additional DAB + compatibility to listen to your favorite radio stations with unmatched audio quality.



### KEY FEATURES

**3**  
PRESET  
EQ

Customize the sound with 4 EQ preset created by Hertz audio engineer.

### CONNECTIVITY

**USB 2.0**

**AUX-IN**

**AM/FM RADIO**

**DAB+**  
Digital Audio Broadcasting

**Bluetooth**

