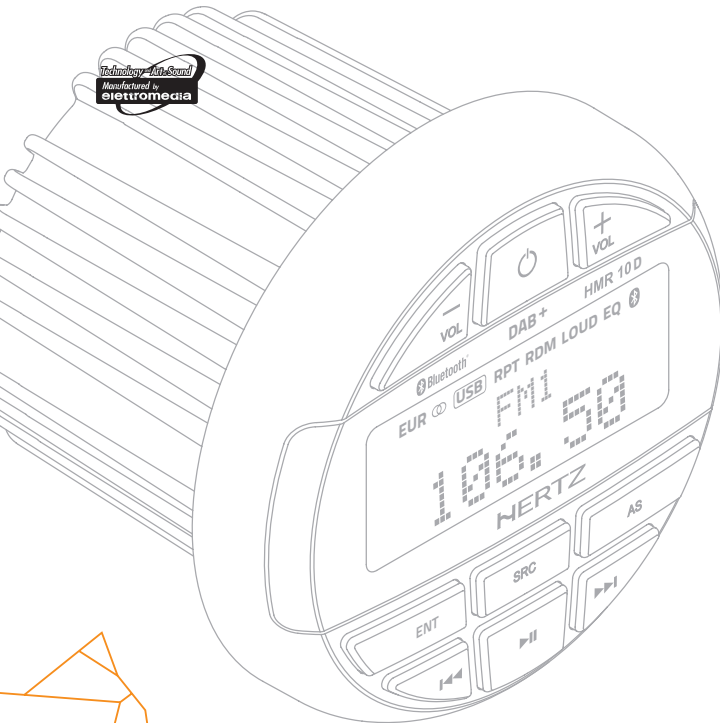


Technology of the Sound
Manufactured in
elettromeccia

POWER
FOR
THE **WAVES**
PURE MARINE
CERTIFIED PRODUCT



marine

HMR 10 D

OWNER'S MANUAL

Marine grade source units

Rev. 0.2

1 INDEX

2. PRECAUTIONS	3
3. PACKAGING CONTENTS	4
4. DIMENSIONS	4
5. INSTALLATION	5
5.1 Installation Cautions	5
6. MOUNTING	6
7. CONNECTIONS	7
8. CONTROLS	8
8.1 Operational Panel	8
8.2 Name of Buttons and their Functions	8
9. OPERATIONS	9
9.1 Basic Operation	9
9.2 FM (RDS) Operation	10
9.3 DAB Operation	11
9.4 USB Mode Operation	12
9.5 AUX In Mode Operation	13
9.6 Bluetooth Operation	13
10. TROUBLESHOOTING	14
10.1 General	14
10.2 USB	14
10.3 Bluetooth	14
11. TECHNICAL SPECIFICATIONS	15

2 PRECAUTIONS

WARNING: for your safety, while boating, keep the volume to a level at which external sounds can be heard.



1. This unit uses precision parts and components for its operation. In the event of any operating issues, never open the case or disassemble the unit. Contact your Hertz dealer or service center.
2. The Bluetooth word mark and logos are registered trademarks owned by the Bluetooth SIG, Inc. and any use of such marks by Elettromedia srl is under license. Other trademarks and trade names are those of their respective owners.

Front Panel / General Information

For a longer service life, be sure to read the following cautions.

- Do not allow any liquids or fluids to enter the unit. Doing so may damage the internal circuitry.
- Do not disassemble or modify the unit in any way. Doing so may result in damage.
- Do not let any materials burn the display. Doing so may damage or deform the body.
- If a problem should occur, address the issue with the retailer where you purchased the product.

Cleaning the Body

- Use a soft, dry cloth and gently wipe off any dirt or dust.
- For persistent dirt, apply some neutral detergent diluted in water on a soft cloth, wipe off the dirt gently, then wipe again with a dry cloth.
- Do not use benzene, thinner, boat cleaner, etc., as these substances may damage the body or cause the paint to peel. Also, leaving rubber or plastic products in contact with the body for long periods of time may cause stains.

USB Port

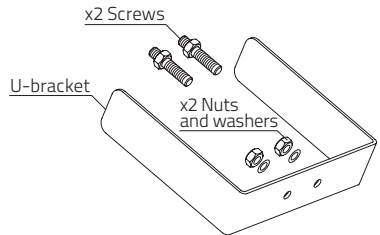
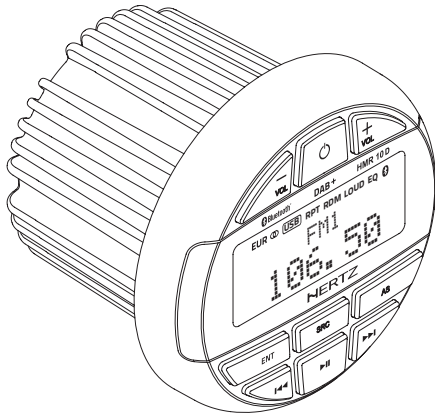
- The USB memory sticks must be recognized as "USB" to work properly. Some models may not operate correctly. In the event data is lost or damaged under any condition, Elettromedia srl shall not be liable for any damage. When using the USB memory stick, we recommend that you backup your data (music) to a personal computer before using.
- Data (music) files may be damaged when USB memory sticks are removed while the device is reading data, or by Static electricity and/or an electrical surge.
- Connect/disconnect the USB memory stick when it is not accessed.
- Disconnect the USB memory device when not in use.

CAUTIONS ON HANDLING

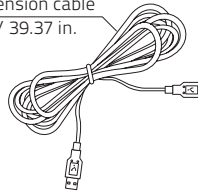
Protect from high temperatures. Exposure to direct sunlight for an extended period of time can produce very high temperature in your vessel. Cool down the interior before starting playback.

3 PACKAGING CONTENTS

HMR 10 D

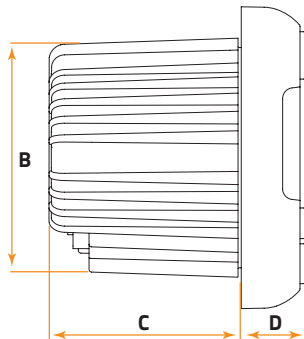
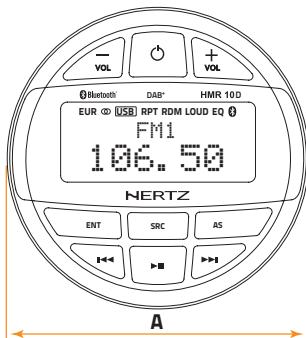


USB extension cable
100 cm / 39.37 in.



4 DIMENSIONS

HMR 10 D

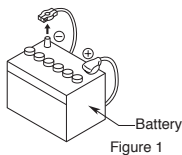


	A	B	C	D	
HMR 10 D	113	89,5	72	24,5	mm
	4,45	3,52	2,83	0,96	in.

5 INSTALLATION

5.1 Before Starting

1. This set is exclusively for use in vessels with a negative ground 12 V power supply.
2. Read these instructions carefully.
3. Make sure the battery "-" terminal is disconnected before starting. This is to prevent short circuits during installation. (Figure 1)

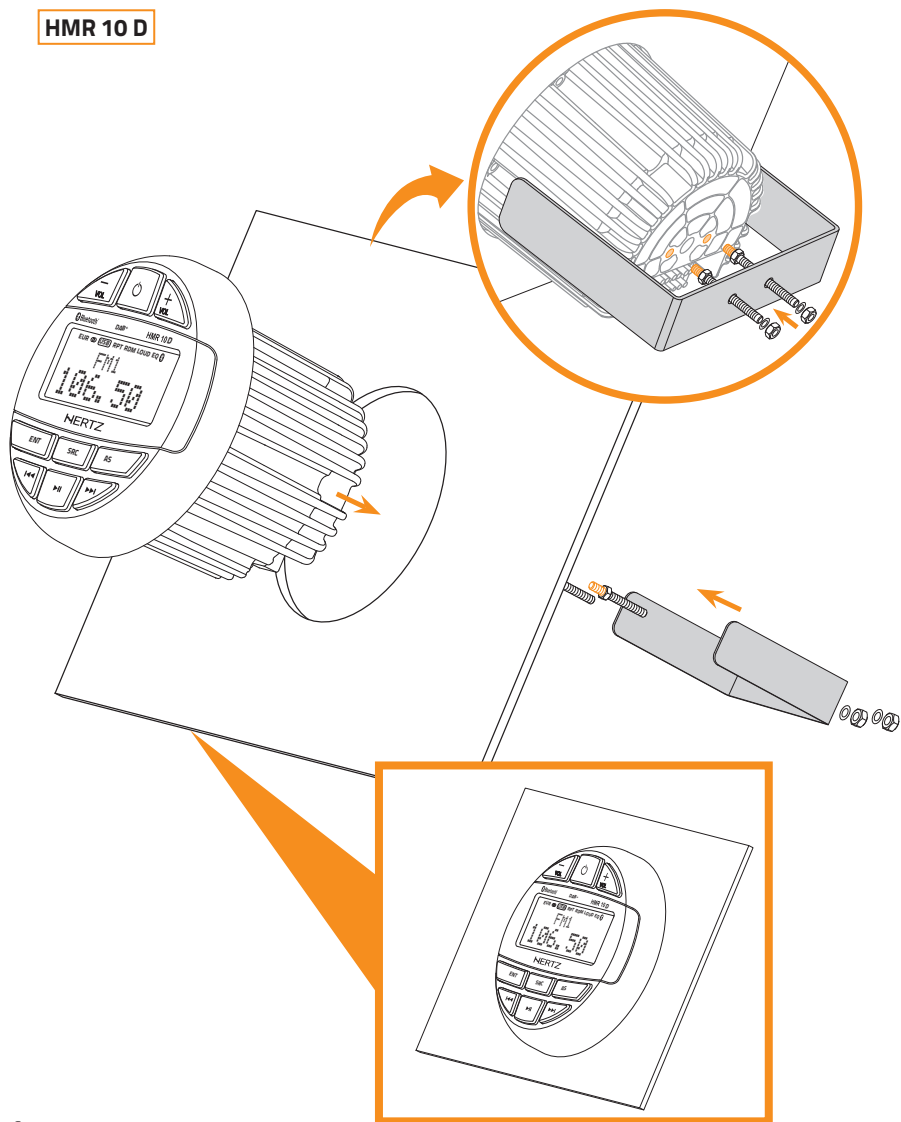


5.2 Installation Cautions

1. In order to avoid any interference, do not install the tuner module or control unit in the proximity of the engine compartment.
2. The use of unauthorized parts can cause permanent damage to the unit.
3. Always check your wire connections to ensure proper installation before turning on the unit.
4. Consult with your nearest dealer for proper installation or if other accessories are needed to complete the installation.
5. Seek assistance if modifications or drilling holes to your vessel is needed.
6. Do not install the unit where it will be subjected to excessive moisture, dust, dirt, foreign particles or vibration. Areas of high temperature from the engine, direct sunlight, or heat sources should also be avoided.
7. Do not install the unit in a location where it will interfere with the vessel operation, or it will injure the passengers if there is a sudden or emergency stop.

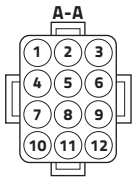
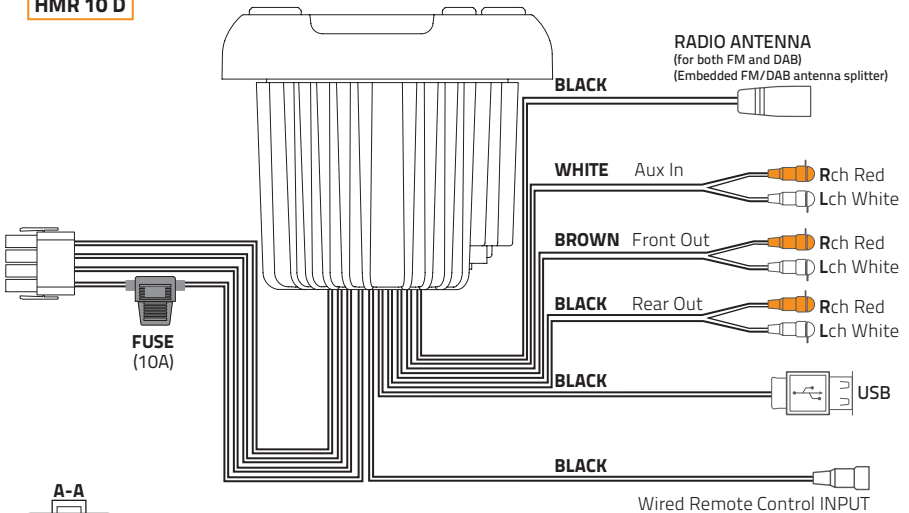
6 MOUNTING

HMR 10 D



7 CONNECTIONS

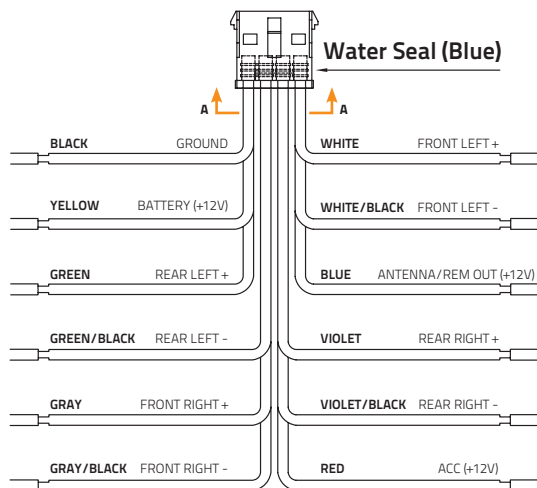
HMR 10 D



12 pin Harness pin out		
No.	Wire color	Description
1	Yellow	Battery (+12V)
2	White/black	Front left -
3	White	Front left +
4	Red	ACC (+12V)
5	Grey/black	Front right -
6	Grey	Front right +
7	Blue	Antenna/ Remote out (+12V)
8	Green/black	Rear left -
9	Green	Rear left +
10	Black	GND
11	Violet/black	Rear right -
12	Violet	Rear right +

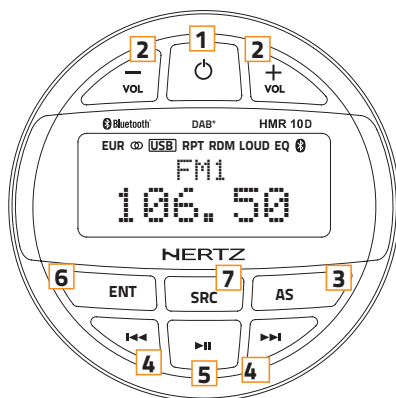
Note: cable out view

12 PIN HARNESS




8 CONTROLS

8.1 Operational Panel






8.2 Name of Buttons and their Functions

- 1**  Button

 - Mute ON / OFF (short press)
 - Power On (short press)
 - Power OFF (long press)
- 2** VOL +/- Button

 - Adjust volume level
- 3** AS Button

 - **FM mode:** entering manual tuning (short press) the display shows "MANUAL". The system returns in "AUTO" mode after a few seconds if no button is pressed.
 - **FM mode:** auto storing of the first 18 strongest stations (long press).
 - **USB mode:** a long press enter USB music file browsing (please see "9.4 USB mode operation").
- 4**  /  Button

 - **FM mode:** previous/next preset (short press).
 - **DAB mode:** previous/next preset (short press).
 - **USB/BT mode:** previous/next track (short press).
 - **USB/BT mode:** fast forward / rewind (press and hold).
- 5**  Button

 - **FM mode:** SAVE a preset station (long press). (please see "9.2 FM (RDS) operation").
 - **DAB mode:** change the displayed info (short press).
 - **USB/BT mode:** PLAY or PAUSE playback (short press).
- 6** ENT Button

 - Entering DAB setting menu (long press) (please see 9.3 "DAB Operation").
- 7** SRC Button

 - Toggle the audio source (short press).
 - Enter into system MENU (long press). Then short press "SRC" to move to the next option. Use the "VOL +/-" button to change the option value.

9 OPERATIONS

9.1 Basic Operation

WARNING: when the unit is turned on, starting and stopping the engine with its volume raised to the maximum level may cause hearing damage. Make sure you adjust the volume in advance.



Power On/Off


Note:

- Start the engine before using this unit.
- Be careful about using this unit for a long time without running the engine. If you drain the vessel battery, you may not be able to start the engine and this can reduce the service life of the battery.

1. Start the engine.



Engine ON position

2. Press the  button to turn on the power in standby mode. Press and hold to turn off the power.
3. Press the **SRC** button to toggle source among Tuner, USB, BT Music, Aux In, DAB.

Adjusting the volume

Press **VOL + / VOL-** button to increase or decrease the volume.
The adjustable range of volume is 0 to 40.

WARNING: while boating, keep the volume at a level at which external sounds can still be heard.



Please be aware of the volume levels in residential, family areas and local volume level ordinances.

System menu

- Press and hold **SRC** to enter system menu.
- Press **SRC** to move to the next option.
- Use the **VOL +/-** button to change the option value / setting.

1 Bass:

Press **VOL +** or **VOL -** to adjust the desired Bass level range from -7 to +7.

2 Treble:

Press **VOL +** or **VOL -** to adjust the desired Treble level range from -7 to +7.

3 Balance:

Press **VOL +** or **VOL -** to adjust the Balance between the right and left speakers from R10 (full right) to L10 (full left).

4 Fader:

Press **VOL +** or **VOL -** to adjust the Fader between the front and rear speakers from R10 (full rear) to F10 (full front).

5 Beep:

Press **VOL +** or **VOL -** to select beep on/off.

6 EQ (Preset Equalizer Setting):

Press **VOL +** or **VOL -** to change EQ:
Hertz EQ -> Classic -> Pop.

7 LOUD:

Press **VOL +** or **VOL -** to select ON/OFF.

8 P-VOL:

Press **VOL +** or **VOL -** to select the desired volume level upon turn on.

9.2 FM (RDS) operation

Select FM as Playing Source.

Press **SRC** to select the **FM** mode.

FM Settings menu

- Long press **ENT** to enter the FM settings menu.
- Short pressing the **SEEK -** or **SEEK +** you can select the desired function.
- List of available functions:
 - **Scan settings**
 - **Audio settings**
 - **System**
- Short press **ENT** to enter the selected function setup.
- Short pressing **SEEK -** or **SEEK +** you can select a different function setup.
- Then confirm the new setup by short pressing **ENT**.
- Long press **ENT** to exit the FM settings menu.

FM preset station selection

- Short press **SEEK -** to move to the previous preset.
- Short press **SEEK +** to move to the next preset.

SEEK tuning

- Long press **SEEK -** to seek the previous strongest station.
- Long press **SEEK +** to seek the next strongest station.

Manual tuning

- Short press **AS** to enter Manual tuning.
- The display shows **MANUAL** (the system returns in **AUTO** mode after a few seconds if no button is pressed).

Auto store

- Only stations with sufficient signal strength will be detected and stored in the memory.
- Press and hold **AS** to automatically find the first 18 strongest stations and store them into presets.
- The new stations replace any stations already stored.

Save a preset

- Tune the desired station/frequency and then press and hold **▶||**, the preset number starts to blink.
- Use the **SEEK +/-** buttons to select the desired preset number then press and hold **▶||** to save it.

FM (RDS) station info

- Short press the **▶||** button to change the displayed info.
- List of available info:
 - Preset number / Tuning frequency (default).
 - Radio text.
 - Program Type (PTY).
 - Tuning frequency.

9.3 DAB operation

Select DAB as Playing Source.

Press **SRC** to select the **DAB** mode.

DAB Settings menu

- Long press **ENT** to enter the DAB settings menu.
- Short pressing the **SEEK -** or **SEEK +** you can select the desired function.
- List of available functions:
 - **Full scan**
 - **Manual tuning**
 - **Drc**
 - **Prune**
 - **System**
- Short press **ENT** to enter the selected function setup.
- Short pressing **SEEK -** or **SEEK +** you can select a different function setup.
- Then confirm the new setup by short pressing **ENT**.
- Long press **ENT** to exit the DAB settings menu.

DAB station selection

- Short press **SEEK -** to move to the previous preset.
- Short press **SEEK +** to move to the next preset.

SEEK tuning

- Long press **SEEK -** to seek the previous strongest station.
- Long press **SEEK +** to seek the next strongest station.

Full scan shortcut

- Short pressing the **AS** button the system performs a full scan of the available DAB stations.

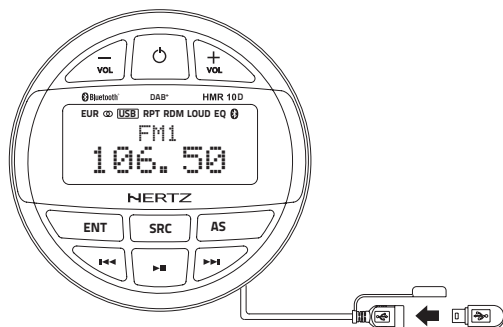
DAB station info

- Short press the **▶||** button to change the displayed info.
- List of available info:
 - Radio text (default).
 - Signal strength.
 - Program Type (PTY).
 - Service info.
 - Channel number/Tuning frequency.
 - Audio streaming info.

9.4 USB Mode Operation

Connect

1. Insert a USB device into the USB pigtail.
2. To remove the USB device, you should select another source or turn off the power, in order to avoid damaging the USB device. Then take off the USB device.



Select a Track

1. Press the ►►► button to move on to the next track/song. Press the ◀◀◀ button to go back to the previous track/song.
2. Press and hold the ►►► button to fast forward through the track/song. Press and hold the ◀◀◀ button to fast rewind through the track/song.

Play / Pause

Press the ►|| button to pause the track/song that is currently playing.
Press the ►|| button to resume playing the track/song that has been paused.

Repeat Feature

This function allows you to Repeat All tracks/songs, repeat the currently playing track/song or turn the Repeat feature OFF.

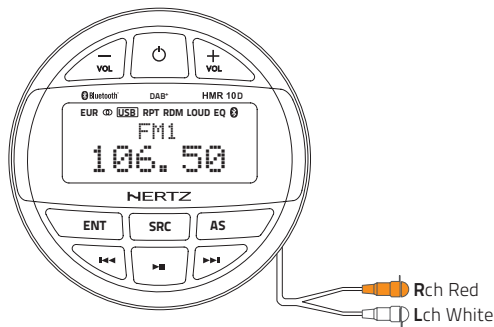
1. Press **AS** button once, it will display "REPEAT ONE". The "RPT" logo lights up.
2. Press **AS** twice, it will display "RANDOM". The "RDM" logo lights up.
3. Press **AS** button three times, it will display "REPEAT ALL". The "RPT" logo turns off.

Track Info

Short press **BAND** button to change the displayed info.

9.5 AUX In Mode Operation

- The AUX In RCA inputs in this system are provided to allow playback of sounds and music from external devices connected to this unit. Press the **SRC** button to select "AUX In".



9.6 Bluetooth Operation

Pair the Bluetooth Device

- From your Bluetooth enabled device, turn Bluetooth ON and search for Bluetooth device.
- When a list of available Bluetooth devices appears on your Bluetooth device select HMR 10 D.
- "CONN. OK" will appear on the display.
- The unit will automatically enter the BT Music source and you can now start streaming audio from your Bluetooth enabled device.

Note:

When the device is connected long pressing the **AS** button the device will be disconnected. Short press **AS** button to reconnect the same device (it may take up to 20 seconds).

WARNING: please avoid operating your connected mobile phone while audio streaming as this may cause noise or stuttering on the song playback. Audio streaming may or may not resume after telephone interruption as this depends on the mobile phone used.

Play / Pause

Press the **▶||** button to pause the track/song that is currently playing.
Press the **▶||** button to resume playing the track/song that has been paused.

Select a Track

- Press the **▶▶▶** button to move on to the next track/song.
- Press the **◀◀◀** button to go back to the previous track/song.

Note:

Playing order will depend on Bluetooth audio player. When the **◀◀◀** button is pressed some A2DP devices will restart the current track depending on the duration of the playback. Some Bluetooth audio players may not allow play / pause synchronization with this unit. Please make sure both the device and the main unit are in the same play / pause status in BT Music mode.

10 TROUBLESHOOTING

10.1 General

Problem	Cause	Remedy
Unit cannot power on.	Unit fuse blown.	Replace with new fuse of correct value.
	Vessel battery fuse blown.	Replace with new fuse of correct value.
No/low audio output.	Incorrect audio output connection.	Check wiring and correct.
	Volume set too low.	Increase volume level.
	Speakers damaged.	Replace speakers.
	Heavily biased volume balance.	Adjust the channel balance to center position.
	Speaker wiring is in contact with metal part of vessel.	Insulate all speaker wiring connections.
Poor sound quality or distortion.	Speaker power rating does not match unit.	Replace speakers.
	Wrong connections.	Check wiring and correct.
	Speaker is shorted.	Check wiring and correct.
Unit resets itself when engine is off.	Incorrect connection between ACC and Battery.	Check wiring and correct.
Auto seek function can not find any stations.	The antenna cable is not connected.	Insert the antenna cable securely.
	The signals are too weak.	Select a station manually.


10.2 USB

Problem	Cause	Remedy
USB device cannot be inserted.	The USB device has been inserted incorrectly.	Reverse the connection direction of the USB device and try again.
	The USB connector is broken.	Replace with a new USB device.
USB device is not recognized.	The USB device is damaged.	Disconnect the USB device and reconnect. If the device is still not recognized, try replacing it with a different USB device.
	Connectors are loose.	
No sound heard with the display showing "No File".	No MP3/WMA file is stored in the USB device.	Store these files properly in the USB device.
Sound skips or is noisy.	MP3/WMA files are not encoded properly.	Use properly encoded MP3/WMA files.

10.3 Bluetooth

Problem	Cause	Remedy
Cannot pair the Bluetooth enabled device with the audio system.	The device does not support the profiles required for the system.	The external BT device is not compatible.
	The Bluetooth function of the device is not enabled.	Refer to the user manual of the device for how to enable the function.
Audio quality is poor after connection with a Bluetooth enabled device.	The Bluetooth reception is poor.	Move the device closer to the audio system or remove any obstacle between the device and the system.

11 TECHNICAL SPECIFICATIONS

FM TUNER		
Frequency Range	Europe	87.5 - 108.0 MHz
	Asia	87.5 - 108.0 MHz
	Australia	87.5 - 108.0 MHz
DAB TUNER		
Frequency Range	174-240 MHz (embedded FM/DAB antenna splitter)	
AUDIO		
Maximum Power Output	50 W x 4 (@ 4 Ohm)	
Max Output Level @ 0.1 % THD	4 x 4 V RMS (Front - Rear)	
USB		
USB	2.0 Full Speed	
USB Port	1 A	
USB Voltage	5.0 V	
Maximum MP3/WMA Songs	Max Folder 6000 Max File 60000	
USB Flash Drive	Max Capacity 32 Gb	
Compatible Format	FAT/FAT32	
BLUETOOTH		
Specification	Bluetooth Version 2.1 + EDR	
Supported Profiles	<ul style="list-style-type: none"> ▪ A2DP (Advanced Audio Distribution Profile) ▪ AVRCP 1.5 (Audio/Video Remote control profile) ▪ SSP (Simple Secure Pairing) 	
GENERAL		
Power Supply Voltage	12 V DC (10,5 to 16 V allowable)	
Grounding System	Negative Ground	
Speaker impedance	4-8 ohms per channel	
IP Protection	IP66	
Over Voltage	Alarm	
Over Temperature	Protection	
NOTE: Specifications and design are subject to change without notice for further improvement.		
CEA SPECIFICATIONS		
	Output power @ 4Ω, ≤1% THD+N, 14.4 V: 22 W x 4 RMS	

HERTZ

PART OF **ELETTROMEDIA**

Strada Regina Km 3,500 - Marignano
62018 Potenza Picena (MC) Italy
T +39 0733 870 870 - F +39 0733 870 880
www.elettromedia.it